



Download from  
**Dreamstime.com**

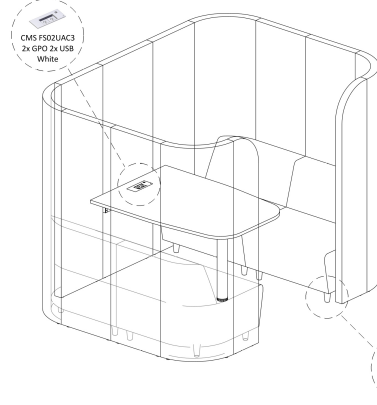
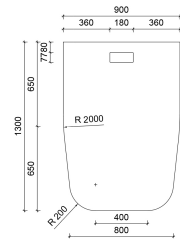
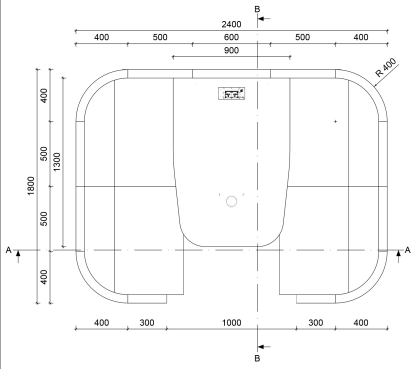
This watermarked comp image is for previewing purposes only.



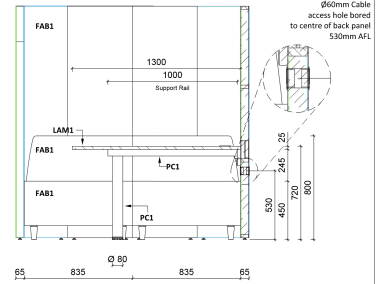
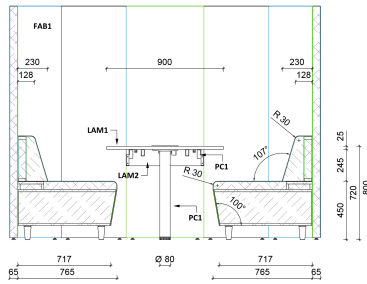
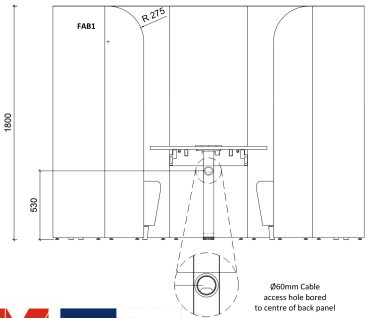
ID 2468711

© Milan Surkala | Dreamstime.com

[Pytha Software 3d Cad Download Free](#)



FABRIC SCHEDULE	
W0470042 - BOOTH005 - QTY:1	Maharam Melb 466387-003 "Skyline"
W0470043 - BOOTH006 - QTY:1	Maharam Melb 466387-033 "Seed"



FINISHES LEGEND		
CODE	SUPPLIER	DESCRIPTION
FAB1	Maharam	"See fabric schedule"
LAM1	Laminex	White 200 Vertiboard, Matching 2mm ABS edge
LAM2	Formica	Black particleboard, Matching 2mm ABS edge
PC1	Dulux	Black matt powder coat

WORKSPACE COMMERCIAL FURNITURE				Client:	Project:	Revision:	Scale:	Drawn by:	Drawing No:	
<b>workspace</b> commercial furniture	<b>HEAD OFFICE SHOWROOM &amp; FACTORY</b> 54 JOSE STREET MELBOURNE PARK SA 5036 P   08 8374 8900 F   08 8374 2984	<b>SYDNEY SHOWROOM</b> U4 - HARCOURT ESTATE 809-821 BOTANY ROAD ROSEBERY NSW 2058 P   02 9381 2300 F   02 9669 6068	<b>CANBERRA SHOWROOM</b> PO BOX 336 U4 - 41-43 TOWNVILLE ST FISHERWICK ACT 2609 P   02 6280 7708 F   02 6280 7700 www.workspace.com.au	<b>MELBOURNE SHOWROOM</b> 87-89 QUEENSBRIDGE ST SOUTHBANK VICTORIA 3006 P   03 9686 1311 F   03 9686 1399	<b>BRISBANE SHOWROOM</b> UNIT 11 36 DOGGETT ST NEWSTEAD QUEENSLAND 4006 P   07 3252 2268 F   07 3252 1426	Mossop Group Pty Ltd Sales Order: ORD0025528	Tonkin Consulting Item: Meeting Booth	B 1:25 @ A3	WC	70042_3 Issue Date: 14/11/2018 Checked by: Date: 21/11/2018

21/11/2018 Z:\Client Typicals\Mossop Group Pty Ltd\ORD0025528\MO00070042\_3 - UPH50008 - Meeting Booth W. CABLE HOLE.pyo

[Pytha Software 3d Cad Download Free](#)



Download from  
**Dreamstime.com**

This watermarked comp image is for previewing purposes only.



ID 2468711

© Milan Surkala | Dreamstime.com

---

PYTHA is the leading 3D CAD software for planning, presentation and production and it is ... The modeler includes a general free form surface module and some .... Download our FREE trial to see what all the fuss is about. Website ... Pytha 3d Cad Systems Llc. Design.. cad 3d download free pytha software 2D from .... With the FREE PYTHA-Viewer, it's so easy to share your design concepts with ... Download viewer > ... See more of PYTHA 3D CAD Australia on Facebook.. 3D CAD Pytha India is the most advanced 3D CAD system in interior design, furniture making, ... Pytha software applications convince regarding simplicity, efficiency and innovation with a ... With every purchase of a license from us you get a 7 days free online training. ... Download the 32 bit version PYTHA-Viewer 1.01.. AutoCAD is a powerful 2D- and 3D-CAD-software. ... Download free of charge via the Hettich eShop ... PYTHA is a leading 3D CAD program for planning, from.. Pytha 3d Cad Software Free Download ... The Agreement can provide access to our Pytha Tech Team for PYTHA 3D CAD, 3D Analyzer, .... PYTHA 3D CAD is the one-point complete software that takes you from idea to illustration into actualisation. Incredibly flexible, this software can be used in its full suite, or packaged in selected modules depending on ... Free Form Drawing ... Videos · Downloads · My Pano · Blogs · Our Team · Training · Openings · Contact .... Once the 3D model is completed, PYTHA can create the various views that are ... Currently, the only CAD software that is able to handle free-form modelling is .... Often these labels have to be done manually, as there is no 3D CAD Software that is able to .... Pytha 3d Cad Software Free Download ...the world's first free 3D CAD software which follows a Dynamic Modeling based approach. This software stands apart from any other CAD sy... Download.

Pytha 3d Cad Free Download >>> <https://tiurll.com/1mu7y0>. ... To download PYTHA 3D CAD SOFTWARE, click on the Download button .... PYTHA is the powerful 3D CAD Software for furniture design. ... parts list; Fast technical drawings; Associative sections; Free form modelling; One-stop integrated solution; Made in Germany ... Download PYTHA Wood Working Brochure.. pytha software, pytha software price in india, pytha software price, pytha software free download, p.. CAD-Systeme Spanke ist Master Reseller der 3D CAD Software PYTHA.. Pytha Software 3d Cad Download Free ... Contribute. visa; mastercard. Payment security is guaranteed by Crédit Mutuel Arkéa (<https> via 3D-Secure System).. With PYTHA 3D CAD, you can model anything! See how easy it is to model a kitchen here. Keen to play? Download the free PYTHA VIEWER, and explore ...

Go to <http://pythapartners.com.au/watch> to download the free PYTHA Viewer, and the model for this kitchen. Show less Show more .... 10 free cad software you can download. Cad software / calculation / for concrete structures / 3d pytha v22.0. Minosa nsw kitchen design of the year pytha 3d cad .... PYTHA is the powerful 3D CAD Software for furniture design. ... parts list; Fast technical drawings; Associative sections; Free form model.. My 3D Shop delivers online training and customisable libraries for use with PYTHA 3D CAD and related design and manufacturing software. 1254b32489

[Ciel Fledge Activation Code Offline!](#)

[Border 1 720p download movies](#)

[TEXT ALOUD - SINTETIZADOR DE VOZ Keygen Voz Para PT BR Crack](#)

[LS-Magazine-LS-Land-Issue-16-Daisies-15.rar](#)

[securom crysis warhead crack 64-bit](#)

[SOSY PROBLEMS FULL MOVIE TORRENT 19](#)

[Wise Driver Care Pro](#)

[Universal Media Server 7.3.0 Crack License Key 2018 Full Free Download](#)

[Jumelage French.pdf](#)

[Dhamaal 720p movie kickass download](#)