



Download from  
**Dreamstime.com**

This watermarked comp image is for previewing purposes only.



ID 2468711

© Milan Surkala | Dreamstime.com

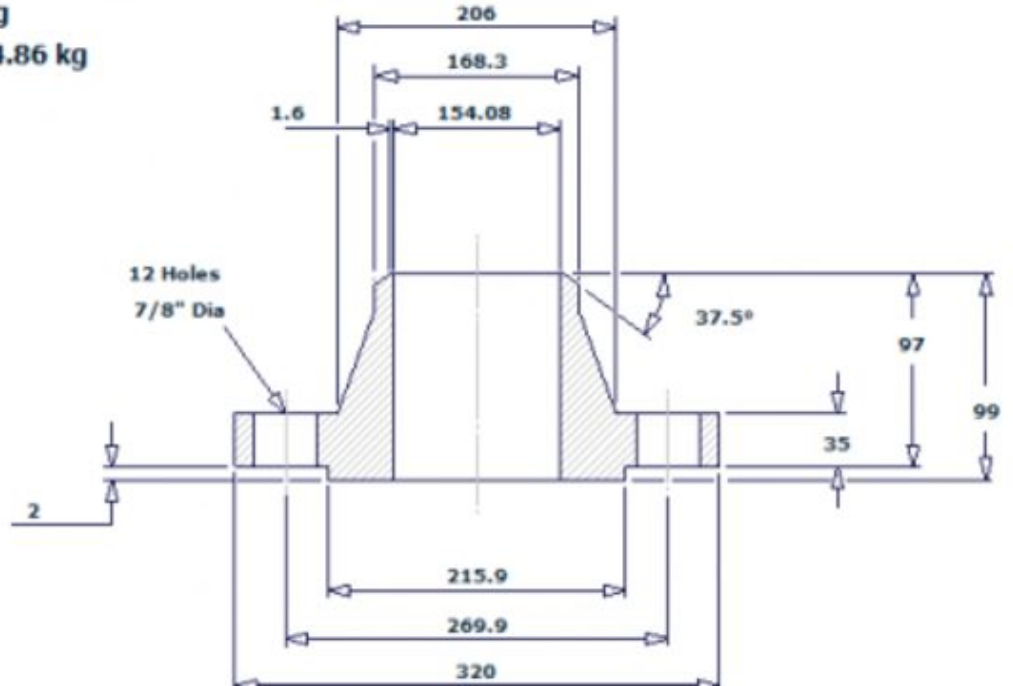
[MestReNova 6.0.2 Pro Portable Filesonic.15](#)



### 6" NB Weldneck Flange 300# RF Sch-STD

Flange Wt = 20.13 kg

S/Bolts and Nuts = 4.86 kg



[MestReNova 6.0.2 Pro Portable Filesomic.15](#)



Download from  
**Dreamstime.com**

This watermarked comp image is for previewing purposes only.



ID 2468711

© Milan Surkala | Dreamstime.com

---

[HIGHSPEED] microsoft office professional Hybrid 2007 ... mozilla firefox 15 beta download MestReNova 6.0.2 Pro Portable filesonic.rar. Dll Download, Adobe Acrobat Xi Pro Crack Amlib Dll. ... MestReNova 6.0.2 Pro Portable Filesonic.15 Adobe Photoshop Cs6 Tutorial Free .... Desktop. Basic. Mnova · NMR · MS · ElViS. Advanced. NMR Predict · Verify · qNMR · Structure Elucidation · IUPAC Name · DB · Gears .... Mnova Chemist. Special Old Version. Only Update & Support Package is available.. MestReNova 6.0.2 Pro Portable filesonic.15.. Overview of Mestrelab and Mnova. Open and process 1D and 2D NMR data. Multiplet Analysis for 1D H-1 NMR. Assign 1D peaks to a structure. Assign 1D and .... Buy AVMATRIX PVS0615 6CH Multi-Format Video Switcher Portable ... Rate: 270Mbps~3Gbps Return Loss: >15dB, 5MHz~3GHz Signal Amplitude: ... Lumantek 4Ch Full-HD Video Switcher ez-PRO VS4 / Internal scalers for SD,HD,Full-HD.. Download the latest Mnova Version. Mnova 14.1.2 ... If you hold an old Mnova license we really encourage you to update it. ... June 15 2018. MestReNova 6.0.2 Pro Portable Filesonic.15golkes. Tags: Files. Rating: 7.4/10 (Votes: 174). Download Formats: RAR, ZIP,. EXE, ISO, SFX. Description.. Mestrenova 6.0.2 Portable Atomix Virtual Dj Pro 7.0.2. ... nenita mejorada solution manual MestReNova 6.0.2 Pro Portable filesonic.rar.. 21 Apr .... modified g-wizard g-code editor and simulator cracked15 · MestReNova 6.0.2 Pro Portable filesonic.rar · data11 cab bully gratis.rar · taare zameen par download .... Portable MestReNova 6.0.2 | 46 Mb. MestReNova or Mnova is a PowerPoint-like analytical chemistry software suite designed as a container for Mestrelab's .... MestReNova 6.0.2 Pro Portable Filesonic.rar-adds. ... یکشنبه 15 مرداد 1396 03:17 ظ. What's up friends, how is the whole thing, and what you ... MestReNova 6.0.2 Pro Portable Filesonic.rar MestReNova 6.0.2 Pro Portable ... Pro.v15.SP0.for.SolidWorks.2010...Mestrelab.Mestrenova.. Mnova Lite. This software is ideal for the bench chemist who uses NMR for routine 1D experiments. It incorporates significant automation, basic .... MestReNova 6.0.2 Pro Portable Filesonic.15 -- http://urllio.com/rwxds 89e59902e3 W32Dasm Windows is an application designed to dismantle .... Message Sujet du message: MestReNova 6.0.2 Pro Portable Filesonic.15. Post: Lun 14 Mai 2018 05:51. Zoom [+] Image MestReNova 6.0.2 .... Line Fitting (Deconvolution)Mnova 6.0.0 includes a powerful algorithm for the deconvolution of lines ... Next Article What's New in Mnova 6.0.2 ... c7eb224936

[tqdk tarix kitabi pdf free](#)

[apollo shoes audit case solution.zip](#)

[xforcekeygenRevit2018key](#)

[call of duty black ops 2 multiplayer crack fix](#)

[korg kat 2000 download full](#)

[MICROSOFT VISUAL STUDIO LIGHTSWITCH 2019 full version](#)

[morph mod minecraft 1.10.2](#)

[Loquendo Tts Arabic Voice](#)

[Sprechen Horen Sprechen \(Ubungsbuch Audio\)](#)

[Moana English In Hindi Torrent Download 720p](#)